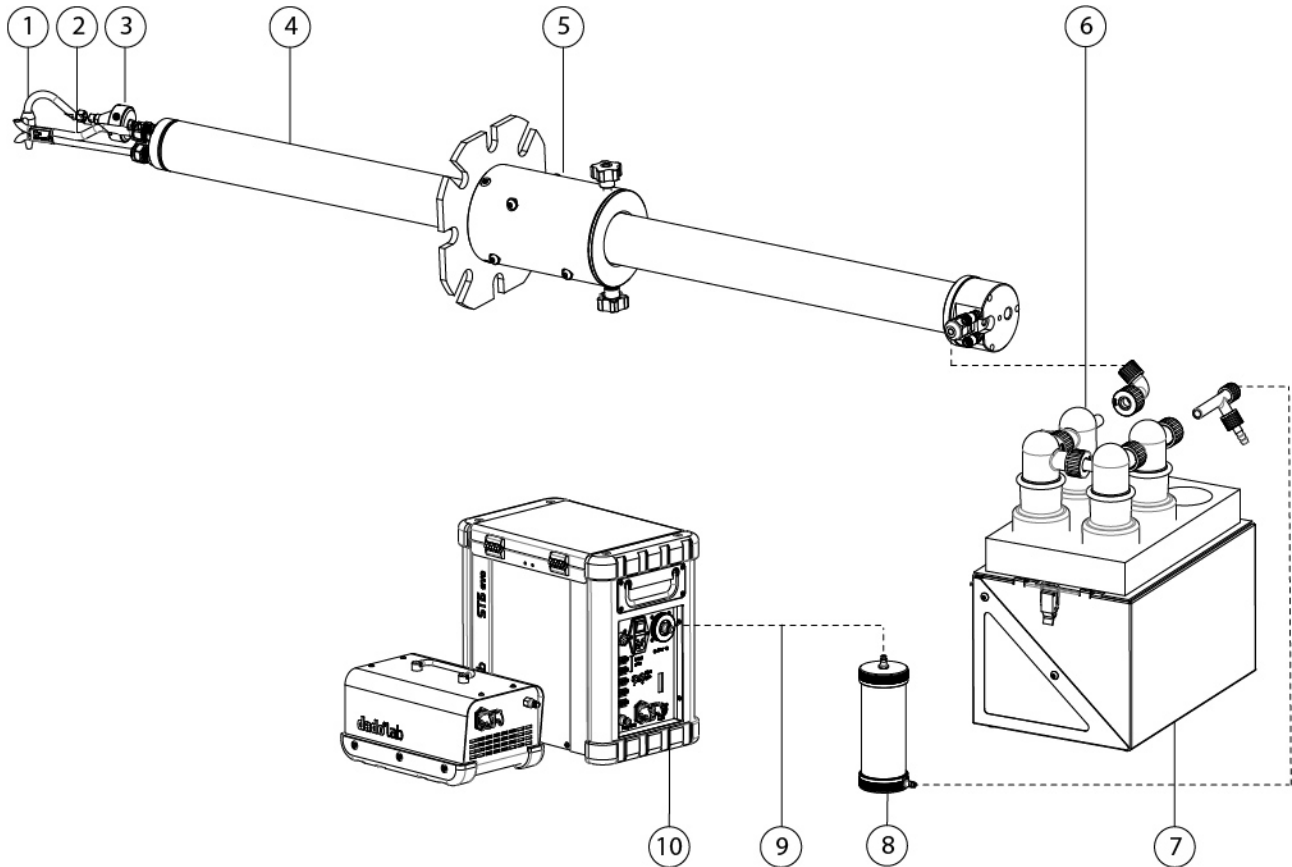


Isokinetic Sampling line configuration for the determination of:

Particulate matter (EN13284 – EPA17) with instack filter configuration



Sampling line composition:

- 1) Gooseneck with interchangeable nozzles
- 2) Type S Pitot Tube
- 3) Filterholder
- 4) Non-heated probe
- 5) Slide and Lock Device
- 6) Impingers train for water condensation
- 7) Athermal Box w/ support foam
- 8) Silica Gel Protection Trap
- 9) Umbilical cable (including 4TC + Pitot tube + 2 Thermoregulators + Suction tube)
- 10) Automatic Isokinetic Sampler Mod. ST5 Evo

Ref	Description	p/n
Integrated Probe CP5		<u>AISI316</u>
1	Leak test cap	101 102 2080
	Nozzle ø 6mm	101 102 2084
	Nozzle ø 7mm	101 102 2085
	Nozzle ø 8mm	101 102 2086
	Nozzle ø 9mm	101 102 2087
	Nozzle ø 10mm	101 102 2088
	Nozzle ø 11mm	101 102 2089
	Nozzle ø 12mm	101 102 2090
	Nozzle ø 14mm	101 102 2091
2	Gooseneck for nozzles	101 102 2081
3	Ø 47mm Filterholder	101 102 1430
4	CP5 probe L = 0,5 mts (includes Pitot S tube)	101 102 1011
	CP5 probe L = 1,0 mts (includes Pitot S tube)	101 102 1012
	CP5 probe L = 1,5 mts (includes Pitot S tube)	101 102 1013
	CP5 probe L = 2,0 mts (includes Pitot S tube)	101 102 1014
	CP5 probe L = 2,5 mts (includes Pitot S tube)	101 102 1015
	CP5 probe L = 3,0 mts (includes Pitot S tube)	101 102 1016
5	Sliding lock with rollers for HP5	101 102 2401
Water Cooling and Condensing system		
6	500 cc free tube Impinger (x2 needed)	101 103 2010
	500 cc plate tube Impinger (x2 needed)	101 103 2011
	GL25/GL18 elbow	101 103 2012
	90° elbow connector for gas outlet	101 103 2013
7	Support foam for 500cc impingers	101 103 2001
	Athermal Box for Impingers	101 102 1201
8	Silica gel/charcoal trap 1 lt	101 110 4003
Umbilical cable (CP5 -> ST5 Evo)		
9	Umbilical cable ST5/CP5 L= 5 mt	101 101 2200
	Umbilical cable ST5/CP5 L= 10 mt	101 101 2210
	Umbilical cable ST5/CP5 L= 15 mt	101 101 2220

Automatic Isokinetic Sampler Mod. ST5 Evo		
10	Isokinetic Sampler ST5 Evo Control Unit	101 101 1100
	ST5 Evo – Pump Unit v4.5	101 101 1103
	ST5 Evo CU-PU connection cable L= 5 mt	101 101 4100
	ST5 Evo CU-PU connection cable L= 10 mt	101 101 4110
	ST5 Evo CU-PU connection cable L= 15 mt	101 101 4120

Options	
ST5 Comm Activation App	101 101 5001
ST5 Zero dP option	101 101 2001
Accessories	
500cc free tube polycarbonate impinger	101 103 2017
250cc free tube polycarbonate impinger	101 103 2018
Pack of 5 porous septums for polymeric impingers	101 103 2020
Extensible support for HP5 probe	101 102 2500
Portable Ice Machine	101 103 2100
Spare Parts	
ST5 Inlet gas protection filters, box of 10 pcs	101 101 3010
Spare cartridge for 47mm filterholder	101 102 1411
Set of 10 pcs 8 mm PTFE nuts	101 102 4011
Set of 10 Viton gaskets for 47mm filterholder, max T 200°	101 102 1450
Set of 10 GF gaskets for 47mm filterholder, max T 350°	101 102 1451
6/8 PTFE tube - 10 mts	105 101 2005
10/18 Silicone tube - 10 mts	105 101 2001
Consumables	
Pack of 100 Glass fibers membranes ø. 47 – Gr. MGA	110 105 1003
Pack of 100 Glass fibers membranes ø. 47 – Gr. GF50	110 105 2053