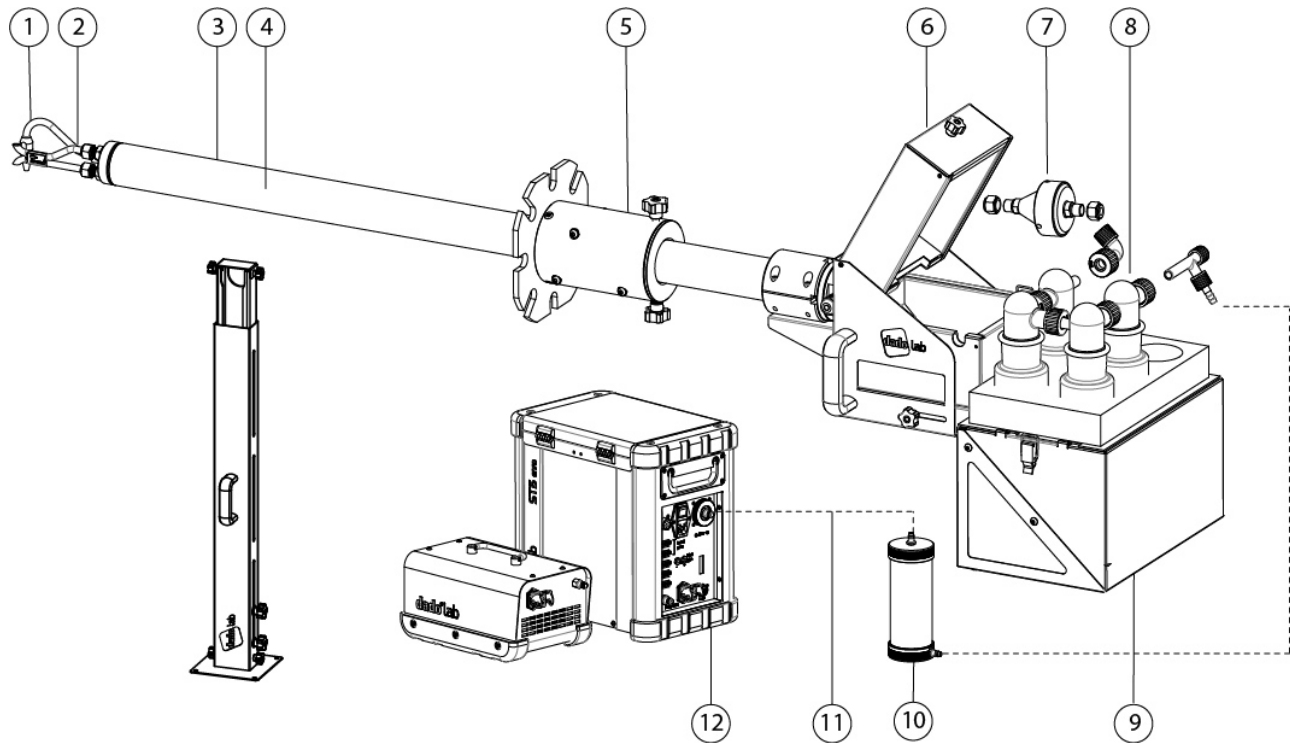


Isokinetic Sampling line configuration for the determination of:

Particulate matter (EN13284 – EPA5) with outstack filter configuration



Sampling line composition:

- 1) Gooseneck with interchangeable nozzles
- 2) Type S Pitot Tube
- 3) Heated Probe mod. HP5
- 4) Inner tube (and optional secondary gas sampling line)
- 5) Slide and Lock Device
- 6) HUB for Outstack filterholder and 4DL manifold
- 7) Filterholder
- 8) Impingers train for water condensation
- 9) Athermal Box w/ support foam
- 10) Silica Gel Protection Trap
- 11) Umbilical cable (including 4TC + Pitot tube + 2 Thermoregulators + Suction tube)
- 12) Automatic Isokinetic Sampler Mod. ST5 Evo

Ref	Description	p/n	
Isokinetic Heated Probe HP5		Titanium	AISI316
1	Leak test cap	101 102 2080	
	Nozzle ø 6mm	101 102 2064	101 102 2084
	Nozzle ø 7mm	101 102 2065	101 102 2085
	Nozzle ø 8mm	101 102 2066	101 102 2086
	Nozzle ø 9mm	101 102 2067	101 102 2087
	Nozzle ø 10mm	101 102 2068	101 102 2088
	Nozzle ø 11mm	101 102 2069	101 102 2089
	Nozzle ø 12mm	101 102 2070	101 102 2090
	Nozzle ø 14mm	101 102 2071	101 102 2091
	Gooseneck for nozzles	101 102 2050	101 102 2081
2	Type "S" Pitot tip - out stack filter	101 102 2030	
3	HP5 Probe L = 0,5 mts	101 102 1001	
	HP5 Probe L = 1,0 mts	101 102 1002	
	HP5 Probe L = 1,5 mts	101 102 1003	
	HP5 Probe L = 2,0 mts	101 102 1004	
	HP5 Probe L = 2,5 mts	101 102 1005	
	HP5 Probe L = 3,0 mts	101 102 1006	
4	Inner tube L = 0,5 mts	101 102 2001	101 102 2021
	Inner tube L = 1,0 mts	101 102 2002	101 102 2022
	Inner tube L = 1,5 mts	101 102 2003	101 102 2023
	Inner tube L = 2,0 mts	101 102 2004	101 102 2024
	Inner tube L = 2,5 mts	101 102 2005	101 102 2025
	Inner tube L = 3,0 mts	101 102 2006	101 102 2026
	Additional gas sampling line L= 0,5 mt	101 102 2011	
	Additional gas sampling line L= 1,0 mt	101 102 2012	
	Additional gas sampling line L= 1,5 mt	101 102 2013	
	Additional gas sampling line L= 2,0 mt	101 102 2014	
	Additional gas sampling line L= 2,5 mt	101 102 2016	
	Additional gas sampling line L= 3,0 mt	101 102 2017	

5	Sliding lock with rollers for HP5	101 102 2401	
6	HUB 4DL for HP5 probe	101 102 1102	
7	Ø 47mm Filterholder	101 102 1410	101 102 1430
	47mm filterholder outlet connector	101 102 1425	101 102 1420
Water Cooling and Condensing system			
8	500 cc free tube Impinger (x2 needed)	101 103 2010	
	500 cc plate tube Impinger (x2 needed)	101 103 2011	
	GL25/GL18 elbow	101 103 2012	
	90° elbow connector for gas outlet	101 103 2013	
9	Support foam for 500cc impingers	101 103 2001	
	Athermal Box for Impingers	101 102 1201	
10	Silica gel/charcoal trap 1 lt	101 110 4003	
Umbilical cable (HP5 -> ST5 Evo)			
11	Umbilical cable ST5/HP5 L= 5 mt	101 101 2100	
	Umbilical cable ST5/HP5 L= 10 mt	101 101 2110	
	Umbilical cable ST5/HP5 L= 15 mt	101 101 2120	
Automatic Isokinetic Sampler Mod. ST5 Evo			
12	Isokinetic Sampler ST5 Evo Control Unit	101 101 1100	
	ST5 Evo – Pump Unit v4.5	101 101 1103	
	ST5 Evo CU-PU connection cable L= 5 mt	101 101 4100	
	ST5 Evo CU-PU connection cable L= 10 mt	101 101 4110	
	ST5 Evo CU-PU connection cable L= 15 mt	101 101 4120	

Options	
ST5 Comm Activation App	101 101 5001
ST5 Zero dP option	101 101 2001
Accessories	
500cc free tube polycarbonate impinger	101 103 2017
250cc free tube polycarbonate impinger	101 103 2018
Pack of 5 porous septums for polymeric impingers	101 103 2020
HP5 Digital Inclinator	101 110 3001
Extensible support for HP5 probe	101 102 2500
Monorail and trolley for HP5 probe	101 102 1150
Portable Ice Machine	101 103 2100
Spare Parts	
ST5 Inlet gas protection filters, box of 10 pcs	101 101 3010
Spare cartridge for 47mm filterholder	101 102 1411
Box of 5 PTFE coated grids for 47mm titanium cartridge	101 102 1412
Set of 10 pcs 8 mm PTFE nuts	101 102 4011
Set of 10 Viton gaskets for 47mm filterholder, max T 200°	101 102 1450
Set of 10 GF gaskets for 47mm filterholder, max T 350°	101 102 1451
6/8 PTFE tube - 10 mts	105 101 2005
10/18 Silicone tube - 10 mts	105 101 2001
Consumables	
Pack of 100 Glass fibers membranes ø. 47 – Gr. MGA	110 105 1003
Pack of 100 Glass fibers membranes ø. 47 – Gr. GF50	110 105 2053
Pack of 50 Quartz fibers membranes ø. 47 – Gr. QFH	110 106 2003
Pack of 25 Quartz fibers membranes ø. 47 – Gr. MK360	110 106 1013