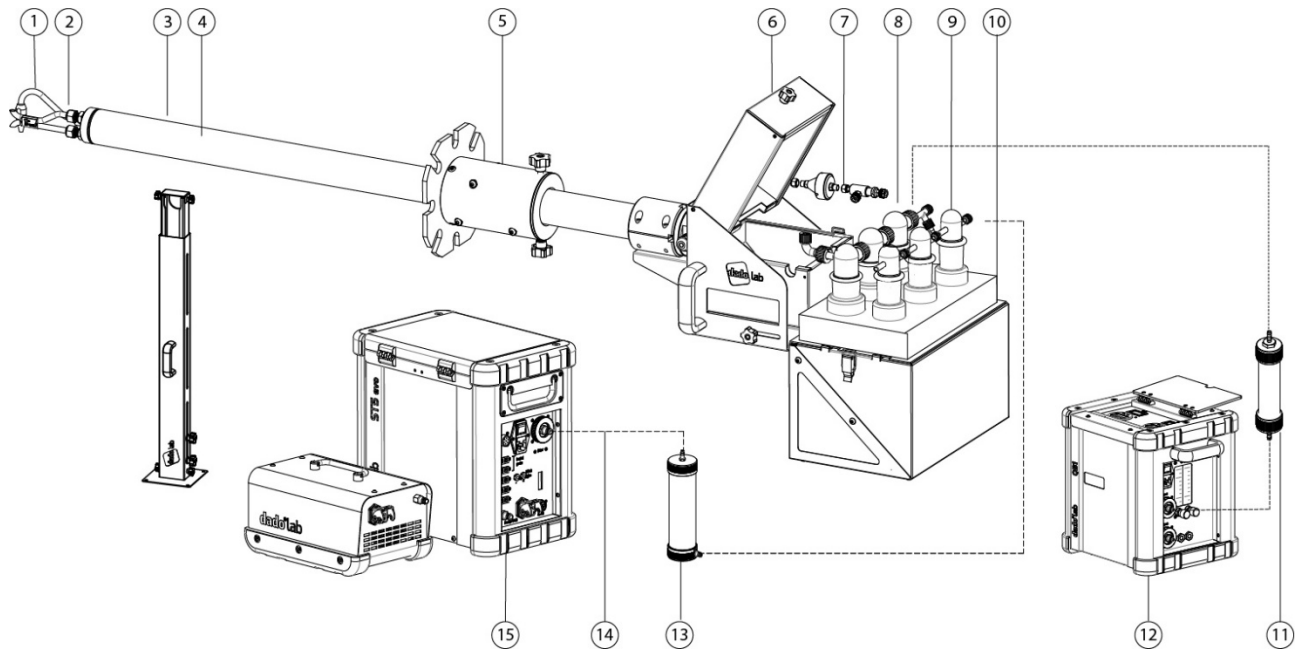


## Isokinetic Sampling line for the determination of: EN14385 for Heavy Metals with Side sampling configuration



### Sampling line composition:

- 1) Gooseneck with interchangeable nozzles
- 2) Type S Pitot Tube
- 3) Heated Probe mod. HP5
- 4) Inner tube (and optional secondary gas sampling line)
- 5) Slide and Lock Device
- 6) HUB for Outstack filterholder and 4DL manifold
- 7) Filterholder and side sampling connector (derivation)
- 8) Impingers train for main line (water content determination)
- 9) Impingers train for side sampling
- 10) Athermal Box w/ support foam
- 11) 100 cc silica gel protection trap for side sampling line
- 12) QB1 V1.5 (Side sampler)
- 13) 1 Lt silica gel protection trap for side sampling line
- 14) Umbilical cable including 4TC + Pitot tube + 2 Thermoregulators + Suction tube)
- 15) Automatic Isokinetic Sampler Mod. ST5 Evo

Ref	Description	p/n	
		Titanium	Quartz
<b>Isokinetic Heated Probe HP5</b>			
1	Leak test cap	101 102 2080	
	Nozzle ø 6mm	101 102 2064	101 102 2263
	Nozzle ø 7mm	101 102 2065	101 102 2264
	Nozzle ø 8mm	101 102 2066	101 102 2265
	Nozzle ø 9mm	101 102 2067	101 102 2266
	Nozzle ø 10mm	101 102 2068	101 102 2267
	Nozzle ø 11mm	101 102 2069	101 102 2268
	Nozzle ø 12mm	101 102 2070	101 102 2269
	Nozzle ø 14mm	101 102 2071	
	Gooseneck for nozzles	101 102 2050	
	Union tee d.10 for quartz/glass inner tubes		101 102 2300
2	Type "S" Pitot tip - out stack filter	101 102 2030	
3	HP5 Probe L = 0,5 mts	101 102 1001	
	HP5 Probe L = 1,0 mts	101 102 1002	
	HP5 Probe L = 1,5 mts	101 102 1003	
	HP5 Probe L = 2,0 mts	101 102 1004	
	HP5 Probe L = 2,5 mts	101 102 1005	
	HP5 Probe L = 3,0 mts	101 102 1006	
4	Inner tube L = 0,5 mts	101 102 2001	101 102 2201
	Inner tube L = 1,0 mts	101 102 2002	101 102 2202
	Inner tube L = 1,5 mts	101 102 2003	101 102 2203
	Inner tube L = 2,0 mts	101 102 2004	101 102 2204
	Inner tube L = 2,5 mts	101 102 2005	101 102 2205
	Inner tube L = 3,0 mts	101 102 2006	101 102 2206
	Additional gas sampling line L= 0,5 mt	101 102 2011	
	Additional gas sampling line L= 1,0 mt	101 102 2012	
	Additional gas sampling line L= 1,5 mt	101 102 2013	
	Additional gas sampling line L= 2,0 mt	101 102 2014	
	Additional gas sampling line L= 2,5 mt	101 102 2016	
	Additional gas sampling line L= 3,0 mt	101 102 2017	

5	Sliding lock with rollers for HP5	101 102 2401	
6	HUB 4DL for HP5 probe	101 102 1102	
7	Ø 47mm Filterholder w/ 1 derivation	101 102 1410 + 101 102 1413	101 102 1406
<b>Water Cooling and Condensing impingers train for main line</b>			
8	500 cc free tube Impinger ( <b>x2 needed</b> )	101 103 2010	
	500 cc plate tube Impinger	101 103 2011	
	GL25/GL18 elbow	101 103 2012	
	90° elbow connector for gas outlet	101 103 2013	
<b>Side sampling impingers train (3 impingers needed)</b>			
9	250 cc Side Sampling Impinger w/frit and schott ( <b>x3</b> )	101 103 2023	
	PVDF Ball valve for derived line	101 102 1203	
10	Support foam for for derived line (3+3 impingers)	101 103 2003	
	Athermal Box for Impingers	101 102 1201	
11	100 cc silica gel/charcoal trap	101 110 4002	
12	QB1 V1,5 (220Vac) Constant flow sampler	101 110 1002	
13	Silica gel/charcoal trap 1 lt	101 110 4003	
<b>Umbilical cable (HP5 -&gt; ST5 Evo)</b>			
14	Umbilical cable ST5/HP5 L= 5 mt	101 101 2100	
	Umbilical cable ST5/HP5 L= 10 mt	101 101 2110	
	Umbilical cable ST5/HP5 L= 15 mt	101 101 2120	
<b>Automatic Isokinetic Sampler Mod. ST5 Evo</b>			
15	Isokinetic Sampler ST5 Evo Control Unit	101 101 1100	
	ST5 Evo – Pump Unit v4.5	101 101 1103	
	ST5 Evo CU-PU connection cable L= 5 mt	101 101 4100	
	ST5 Evo CU-PU connection cable L= 10 mt	101 101 4110	
	ST5 Evo CU-PU connection cable L= 15 mt	101 101 4120	

<b>Options</b>	
ST5 Comm Activation App	101 101 5001
ST5 Zero dP option	101 101 2001
<b>Accessories</b>	
HP5 Digital Inclinator	101 110 3001
Extensible support for HP5 probe	101 102 2500
Monorail and trolley for HP5 probe	101 102 1150
Portable Ice Machine	101 103 2100
<b>Spare Parts</b>	
ST5 Inlet gas protection filters, box of 10 pcs	101 101 3010
Spare cartridge for 47mm filterholder	101 102 1411
Box of 5 PTFE coated grids for 47mm titanium cartridge	101 102 1412
Set of 10 pcs 8 mm PTFE nuts	101 102 4011
Set of 10 Viton gaskets for 47mm filterholder, max T 200°	101 102 1450
Set of 10 GF gaskets for 47mm filterholder, max T 350°	101 102 1451
6/8 PTFE tube - 10 mts	105 101 2005
10/18 Silicone tube - 10 mts	105 101 2001
<b>Consumables</b>	
Pack of 100 Glass fibers membranes ø. 47 – Gr. MGA	110 105 1003
Pack of 100 Glass fibers membranes ø. 47 – Gr. GF50	110 105 2053
Pack of 50 Quartz fibers membranes ø. 47 – Gr. QFH	110 106 2003
Pack of 25 Quartz fibers membranes ø. 47 – Gr. MK360	110 106 1013