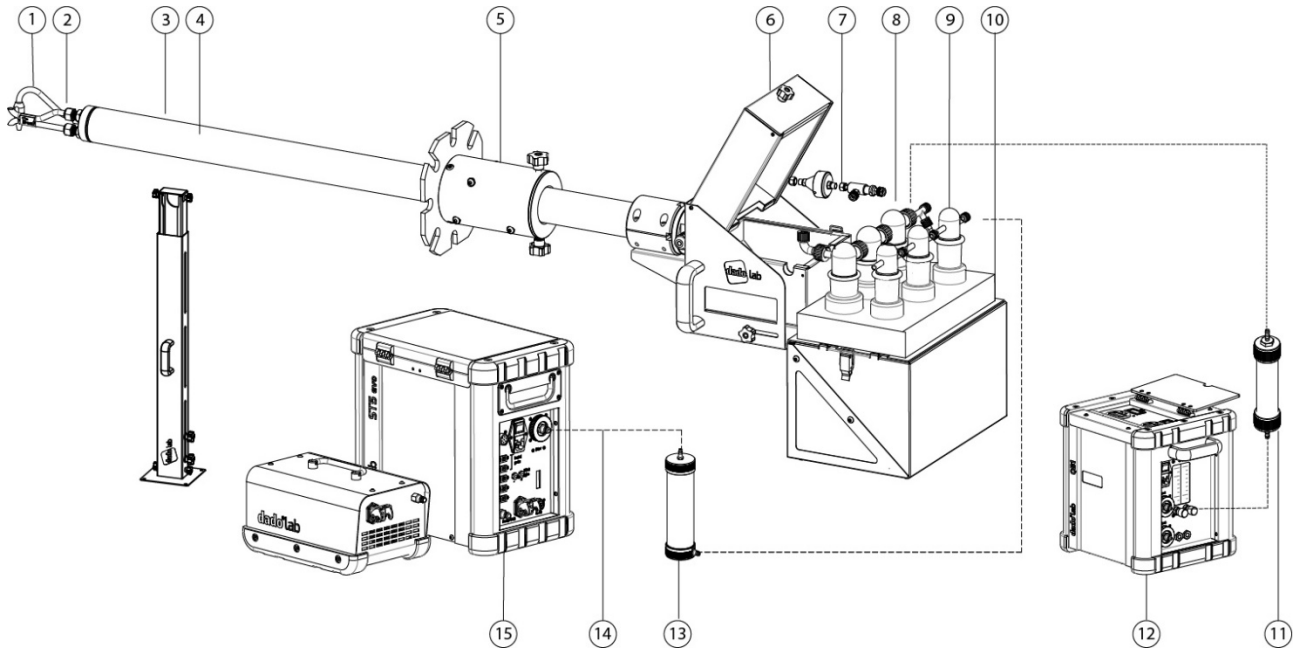


Isokinetic Sampling line for the determination of:

EN15713 for Fluorides on Main line configuration (optional side sampling)



Sampling line composition:

- 1) Gooseneck with interchangeable nozzles
- 2) Type S Pitot Tube
- 3) Heated Probe mod. HP5
- 4) Inner tube (and optional secondary gas sampling line)
- 5) Slide and Lock Device
- 6) HUB for Outstack filterholder and 4DL manifold
- 7) Filterholder and side sampling connector (derivation)
- 8) Impingers train for main line (water content determination)
- 9) Impingers train for side sampling
- 10) Athermal Box w/ support foam
- 11) 100 cc silica gel protection trap for side sampling line
- 12) QB1 V1.5 (Side sampler)
- 13) 1 Lt silica gel protection trap for side sampling line
- 14) Umbilical cable including 4TC + Pitot tube + 2 Thermoregulators + Suction tube)
- 15) Automatic Isokinetic Sampler Mod. ST5 Evo

Ref	Description	p/n	
		Titanium	Glass
Isokinetic Heated Probe HP5			
1	Leak test cap	101 102 2080	
	Nozzle ø 6mm	101 102 2064	101 102 2163
	Nozzle ø 7mm	101 102 2065	101 102 2164
	Nozzle ø 8mm	101 102 2066	101 102 2165
	Nozzle ø 9mm	101 102 2067	101 102 2166
	Nozzle ø 10mm	101 102 2068	101 102 2167
	Nozzle ø 11mm	101 102 2069	101 102 2168
	Nozzle ø 12mm	101 102 2070	101 102 2169
	Nozzle ø 14mm	101 102 2071	
	Gooseneck for nozzles	101 102 2050	
	Union tee d.10 for quartz/glass inner tubes		101 102 2300
	2	Type "S" Pitot tip - out stack filter	101 102 2030
3	HP5 Probe L = 0,5 mts	101 102 1001	
	HP5 Probe L = 1,0 mts	101 102 1002	
	HP5 Probe L = 1,5 mts	101 102 1003	
	HP5 Probe L = 2,0 mts	101 102 1004	
	HP5 Probe L = 2,5 mts	101 102 1005	
	HP5 Probe L = 3,0 mts	101 102 1006	
4	Inner tube L = 0,5 mts	101 102 2001	101 102 2101
	Inner tube L = 1,0 mts	101 102 2002	101 102 2102
	Inner tube L = 1,5 mts	101 102 2003	101 102 2103
	Inner tube L = 2,0 mts	101 102 2004	101 102 2104
	Inner tube L = 2,5 mts	101 102 2005	101 102 2105
	Inner tube L = 3,0 mts	101 102 2006	101 102 2106
	Additional gas sampling line L= 0,5 mt	101 102 2011	
	Additional gas sampling line L= 1,0 mt	101 102 2012	
	Additional gas sampling line L= 1,5 mt	101 102 2013	
	Additional gas sampling line L= 2,0 mt	101 102 2014	
	Additional gas sampling line L= 2,5 mt	101 102 2016	
	Additional gas sampling line L= 3,0 mt	101 102 2017	

5	Sliding lock with rollers for HP5	101 102 2401
6	HUB 4DL for HP5 probe	101 102 1102
7	Ø 47mm Filterholder	101 102 1410 101 102 1401

Absorbing impingers train on main line		
8	250cc Polyethylene impinger (x3 needed)	101 103 2026
	Support foam for derived line	101 103 2003
	Athermal Box for Impingers	101 102 1201
	6/8 PE tube - 10 mts	105 101 2008

Alternative to main line absorbing impinger train:

Water condensation on main line and absorbing impingers train on Side stream		
8	500 cc free tube Impinger (x2 needed)	101 103 2010
	500 cc plate tube Impinger	101 103 2011
	GL25/GL18 elbow	101 103 2012
	90° elbow connector for gas outlet	101 103 2013
9	250cc Polyethylene impinger (x3 needed)	101 103 2026
	PVDF Ball valve for derived line	101 102 1203
10	Support foam for for derived line (3+3 impingers)	101 103 2003
	Athermal Box for Impingers	101 102 1201
	6/8 PE tube - 10 mts	105 101 2008
11	100 cc silica gel/charcoal trap	101 110 4002
12	QB1 V1,5 (220Vac) Constant flow sampler	101 110 1002
13	Silica gel/charcoal trap 1 lt	101 110 4003

Umbilical cable (HP5 -> ST5 Evo)		
14	Umbilical cable ST5/HP5 L= 5 mt	101 101 2100
	Umbilical cable ST5/HP5 L= 10 mt	101 101 2110
	Umbilical cable ST5/HP5 L= 15 mt	101 101 2120
Automatic Isokinetic Sampler Mod. ST5 Evo		
15	Isokinetic Sampler ST5 Evo Control Unit	101 101 1100
	ST5 Evo – Pump Unit v4.5	101 101 1103
	ST5 Evo CU-PU connection cable L= 5 mt	101 101 4100
	ST5 Evo CU-PU connection cable L= 10 mt	101 101 4110
	ST5 Evo CU-PU connection cable L= 15 mt	101 101 4120

Options	
ST5 Comm Activation App	101 101 5001
ST5 Zero dP option	101 101 2001
Accessories	
HP5 Digital Inclinator	101 110 3001
Extensible support for HP5 probe	101 102 2500
Monorail and trolley for HP5 probe	101 102 1150
Portable Ice Machine	101 103 2100
Spare Parts	
ST5 Inlet gas protection filters, box of 10 pcs	101 101 3010
Spare cartridge for 47mm filterholder	101 102 1411
Box of 5 PTFE coated grids for 47mm titanium cartridge	101 102 1412
Set of 10 pcs 8 mm PTFE nuts	101 102 4011
Set of 10 Viton gaskets for 47mm filterholder, max T 200°	101 102 1450
Set of 10 GF gaskets for 47mm filterholder, max T 350°	101 102 1451
6/8 PTFE tube - 10 mts	105 101 2005
10/18 Silicone tube - 10 mts	105 101 2001
Consumables	
Pack of 100 Glass fibers membranes ø. 47 – Gr. MGA	110 105 1003
Pack of 100 Glass fibers membranes ø. 47 – Gr. GF50	110 105 2053
Pack of 50 Quartz fibers membranes ø. 47 – Gr. QFH	110 106 2003
Pack of 25 Quartz fibers membranes ø. 47 – Gr. MK360	110 106 1013