



Heated Probe HP1



Smart gas sampling, simplified

Compact and lightweight, Dado Lab HP1 heated probe is the versatile solution for gas sampling, fully compliant with EN 12619, EN 14792, EN 14789 and CEN/TS 17405 standards.

Whether you need a single or dual-output configuration, self-heated up to 180°C or precisely thermoregulated, this probe adapts to your mission.

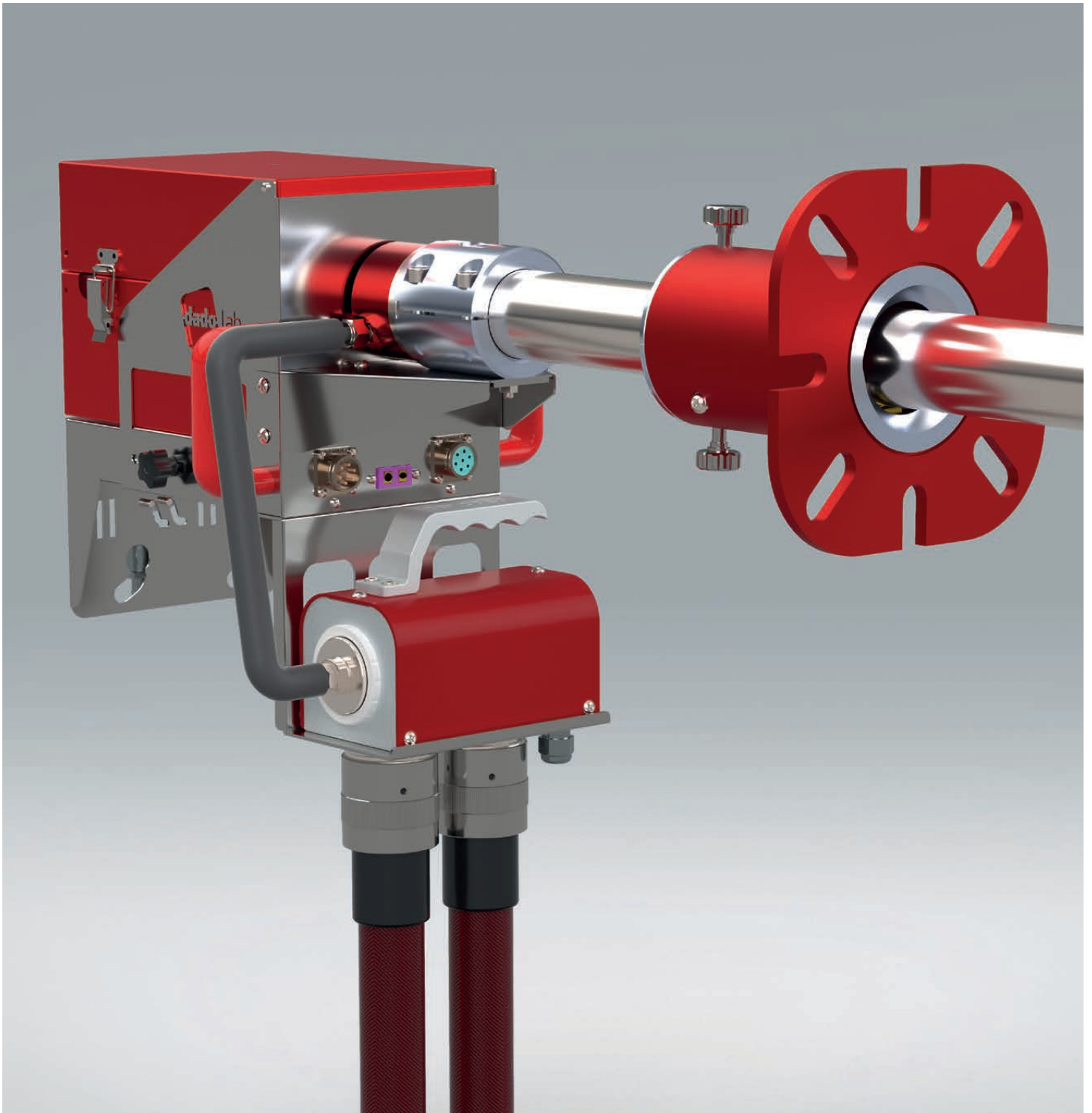
Choose from three protection filter options, and for the most demanding conditions, equip it with a heated sampling tube to eliminate acid condensation and preserve sample integrity.

Small in size, unstoppable in performance.

The HP1 is equipped with Swagelok-type pneumatic fittings and includes an inlet for dynamic calibration, positioned upstream of the filter to ensure accurate and reliable measurements.

The Dado Lab Locking Ring is simply ingenious. It allows for the elimination of cold spots by replacing the stainless steel termination of the heated line, while ensuring a perfect pneumatic seal.

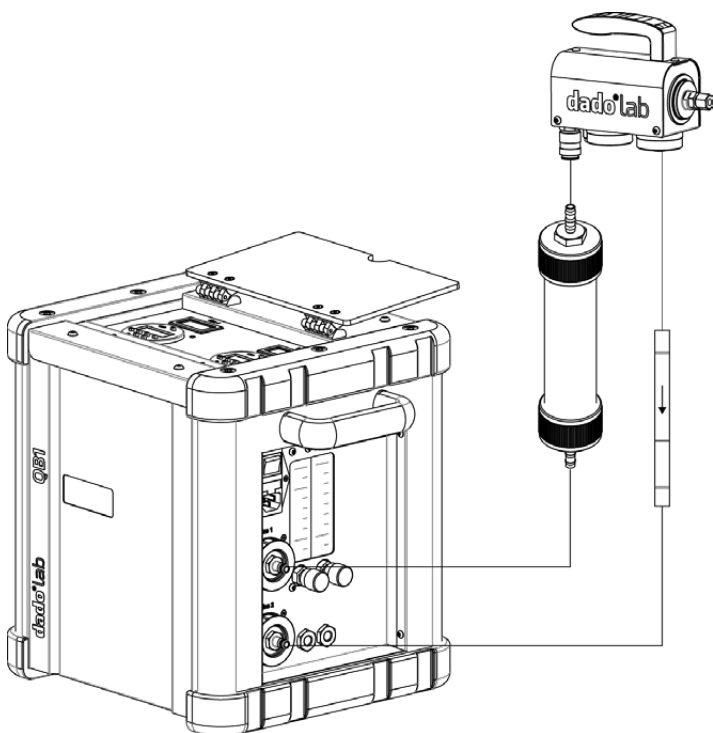
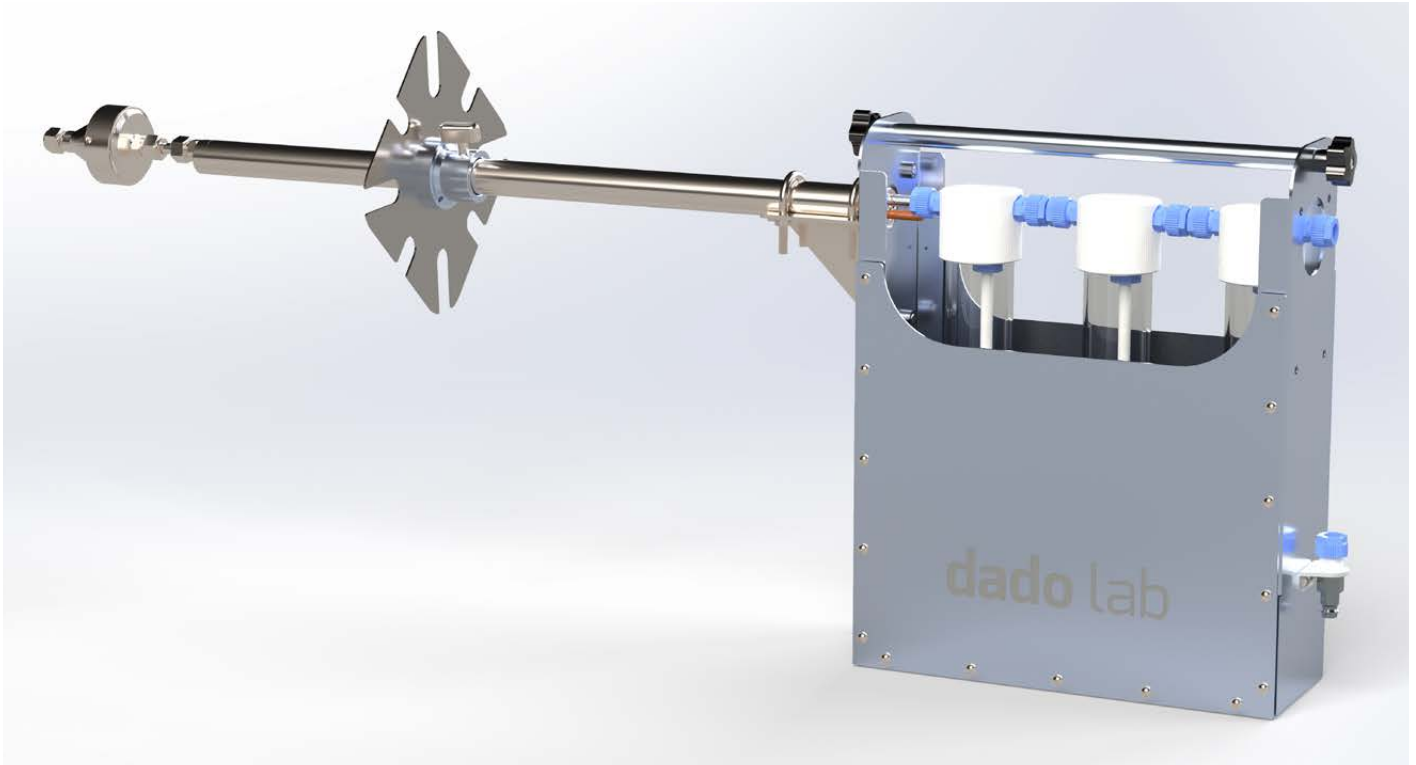
The HP1 also integrates seamlessly with the HP5 isokinetic probe. This is especially valuable when only one stack port is available, allowing simultaneous or sequential sampling without compromising efficiency.



The HP1 is a powerhouse of flexibility and innovation.

The HP1 heated sampling tube redefines performance in NH₃ sampling, thanks to the option of a titanium inner tube.

HP1 is far more than just a gas sampling probe - it's a smart, modular solution designed to adapt to real-world field conditions, adjusting to each application to consistently deliver reliable performance in full compliance with standards.



When paired with the QB1-D dual-channel sampler, the HP1 becomes the perfect tool for VOC sampling in accordance with EN 12619 Dilution Method.

The QB1-D features two independent sampling lines: one extracts the sample from the probe, while the other delivers clean air to create a precise dilution system

Part Number and accessories

HP1 Probe Self Regulated: delivered with Rugged Pellican case and Test reports

101 105 1001HP1-1W w/ 30 cm sampling tube and case
101 105 1002HP1-2W Probe w/ 30 cm sampling tube and case
101 105 1011HP1-1W w/ 30 cm sampling tube and case 110V
101 105 1012HP1-2W Probe w/ 30 cm sampling tube and case 110V

Accessories

101 105 1004Flange with fixing cone from 2" to 4"
101 105 1005Spare AISI316 70cm tube for HP1 probe
101 105 1003Titanium tube L= 70 cm

HP1 Probe Thermo Regulated: delivered with Rugged Pellican case and Test reports

101 105 1101HP1-1WT thermoregulated w/ sampling tube and case
101 105 1102HP1-2WT thermoregulated w/ sampling tube and case
101 104 1001Dado Thermoregulation unit 1-2
101 104 2001Dado Thermoregulation cable 1-2 - 5m
101 104 2002Dado Thermoregulation cable 1-2 - 10m

Accessories

101 105 1103HP1 Heated tube L=70cm
101 105 1106Flange for 4" stack port for HP1 heated tube
101 104 1011Generic thermoregulation unit 2-2
101 105 1104HP1 thermoregulation cable L=5mts
101 105 1105HP1 thermoregulation cable L=10mts
101 105 3005HP1 probe 5+5 gaskets set
101 105 1019.....Terminals for heated line w/ HP1/HP2 locking ring
101 105 1110Connection support for HP1/HP5

HP1 Probe NH3 configuration

101 105 1203HP1 Heated probe with Ti tube L=70cm
101 105 1213HP1 Heated probe with Ti tube L=120cm
101 105 1223HP1 Heated probe with Ti tube L=170cm
101 105 1301Athermal box for n. 3 250cc impingers
101 105 1114HP1 Heated tube thermoregulation cable L=5mts

Filters

101 105 3002HP1 probe Microfibers with PTFE binders protection. Set of 10 pcs
101 105 1006HP1 non VOC Probe protection filters, T max 500°C. Kit of 10
101 105 3001HP1 probe Sintered steel protection filter for VOCs. 1pc

Technical Characteristics

Sampling probe	Stainless steel, length 30 cm or 70 cm with 6/8 mm diameter
Thermoregulated Heated tube:	Stainless steel or titanium gr.2, length 70cm, 120cm or 170 cm
Filtering element	Microfibers with PTFE binders, sintered steel or Microfibers with organic binders
Heating temperature	Self-regulating at 180° or thermoregulated
Hystereisis	±15°
Heated line connection	Swagelok type diameter 6 mm or 8 mm
Operative conditions	-20 ÷ 40°C - 95% rH
Stock Conditions	-20 ÷ +50°C - 95% rH
Power	230Vac±10% - 50/60Hz supply
Materials	Stainless steel
Weight	2.3 kg
Dimensions	1570 (+300) x 94,5 x 134 mm

Dimensions (mm)

